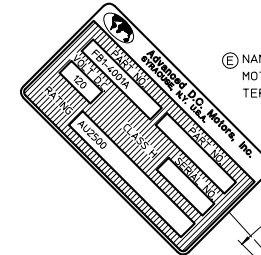
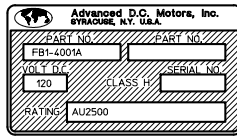
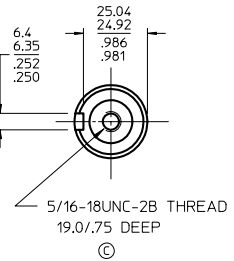
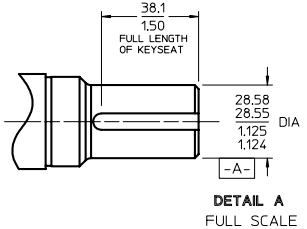
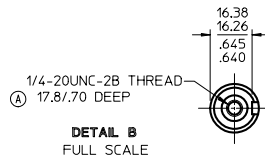
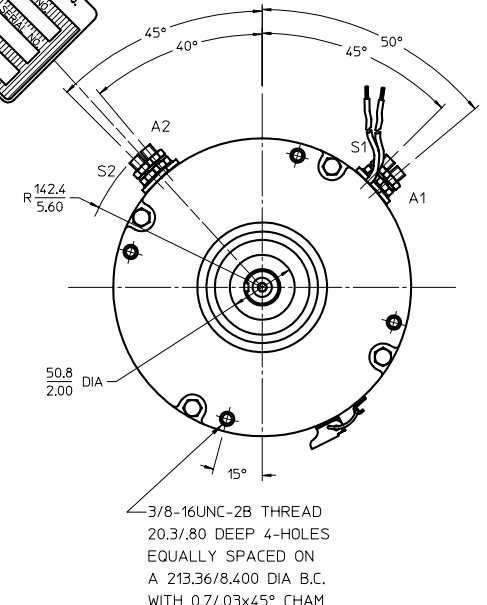
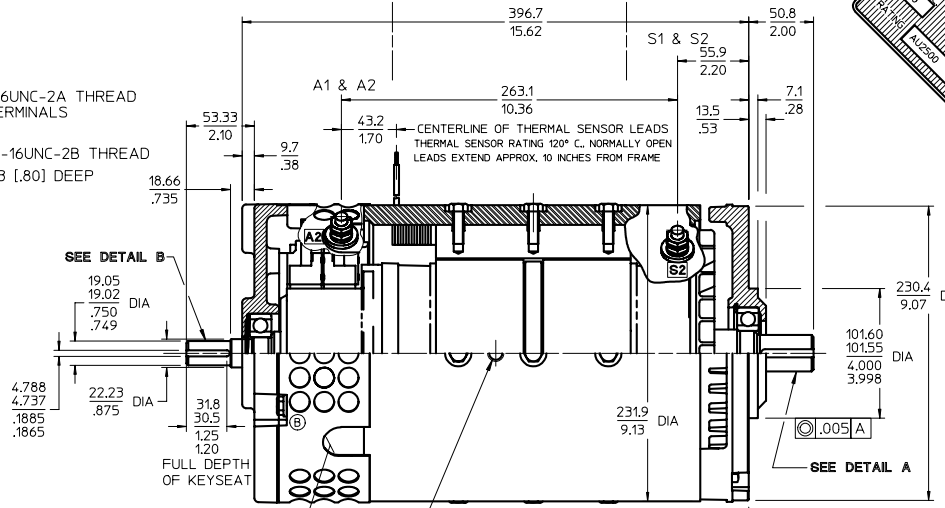
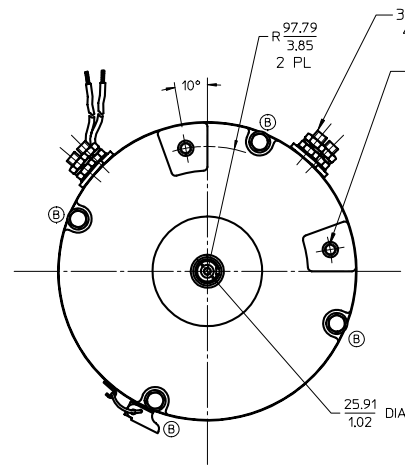


Notice - Advanced D.C. Motors, Inc. claims proprietary rights in the information disclosed on this drawing. It is issued in confidence for engineering information only and may not be used, in whole or in part, to manufacture anything whether or not shown hereon, reproduced or disclosed to anyone without direct written permission from Advanced D.C. Motors, Inc.

- NAME LABEL STAMPED WITH ADVANCED PART NO. CUSTOMER PART NO. AND 120 VOLT
- NAME LABEL STAMPED WITH U.L. ID. NO. AU2500 & CURRENT DATE IN RATING BOX
- CODE DATE STAMPED ON FRAME NEAR NAME LABEL



(E) NAME LABEL CENTERED ON MOTOR FRAME BETWEEN TERMINALS A2 AND S2

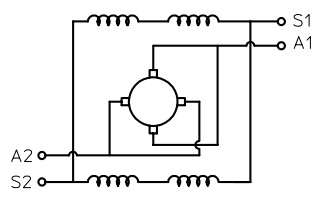


HEADBAND MATERIAL: NOMEX
BLACK PAINT ON ONE SIDE

5/8-11UNC-2B THREAD
.60 MAX- EXCESS PENETRATION WILL CAUSE DAMAGE TO POLE PIECE

- CLASS "H" INSULATION
- FINISH: FRAME-BLACK PAINT
- END HEADS-NATURAL ALUMINUM
- VENTILATED MOTOR WITH FAN
- DESIGNED WITH INTENT TO MEET U.L. SPEC# 583 LATEST EDITION FOR TYPE "E" & "EE" INDUSTRIAL ELECTRIC MOTORS
- TEST TO CURVE: C-59
- MOTOR WEIGHT: 143 lbs.
- DESIGNED TO OPERATE IN C.C.W. ROTATION FORWARD VEHICLE OPERATION

72/120 VOLT



- ROTATION - REVERSIBLE
C.W.D.E.
CONNECT S-1 TO ONE BATTERY TERMINAL
CONNECT S-2 TO A-1
CONNECT A-2 TO OTHER BATTERY TERMINAL
C.C.W.D.E.
CONNECT S-1 TO ONE BATTERY TERMINAL
CONNECT S-2 TO A-2
CONNECT A-1 TO OTHER BATTERY TERMINAL

Zone	Rev	Was	By	Date	Material Ref
E		CLARIFY LABEL LOCATION PCR#B	PGF	04-16-98	This print is the property of Advanced D.C. Motors, Inc. and supersedes all prints previous to last revision. Do not scale -work to dimensions. Tolerances unless otherwise specified.
D		CHANGED LABEL PCR#1793	EH	12-05-97	
D-3		WAS 25.4/100 DP.	PCR#980	04-28-95	
B		CHG TO CONFORM TO DETAIL	PCR#916	02-13-95	
A		WAS 25.4/100 DP.	PCR#493	04-07-93	
		REDRAWN IN CAD LAST REV U	TMC	09-16-92	

Advanced D.C. Motors, Inc.
Syracuse N.Y.

Name: TRACTION MOTOR OUTLINE

Size: Scale 1/2, Drawn MM, Date 04-19-91

Part No: FB1-4001A